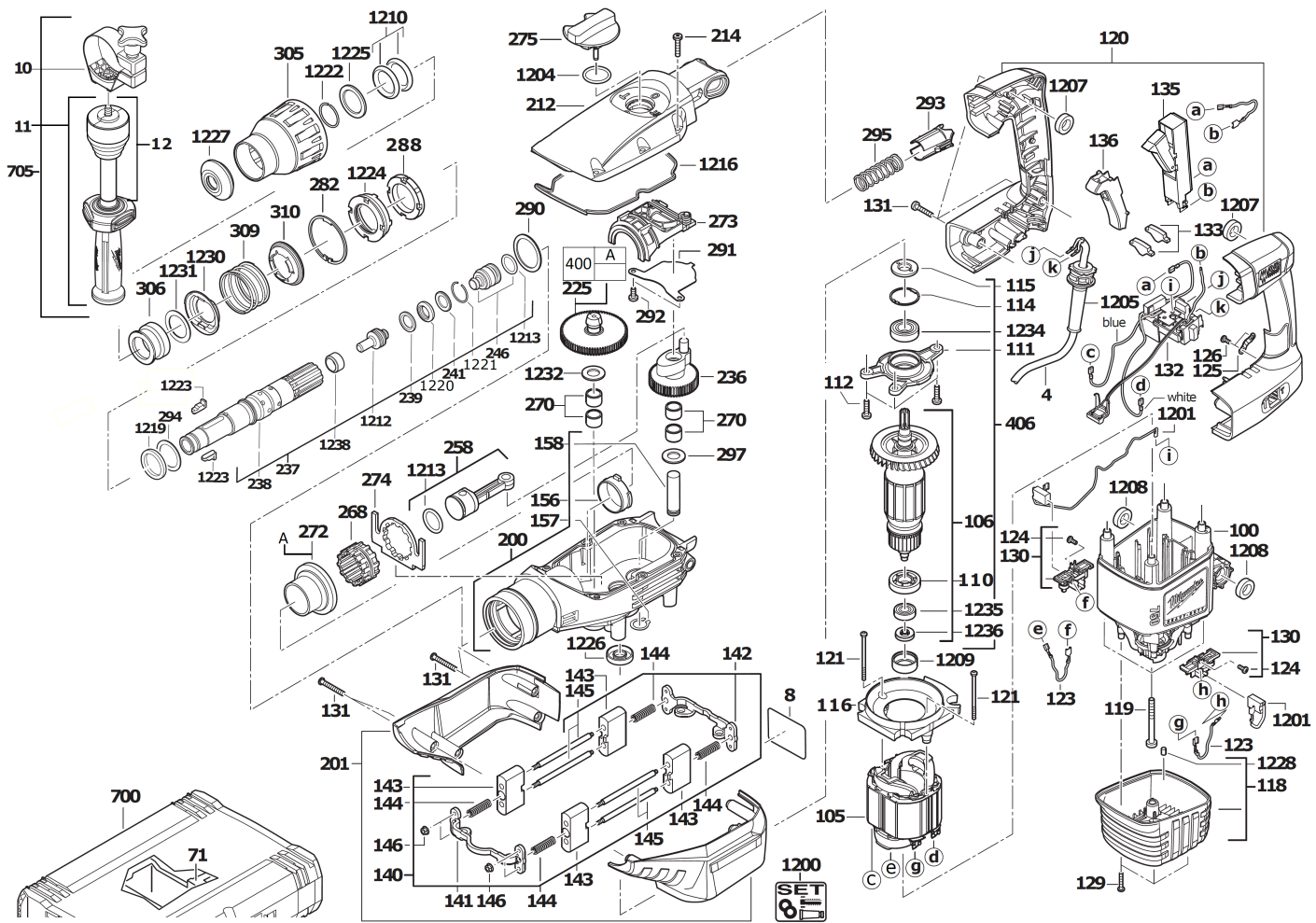


# K750S COMBI HAMMER SDS IN2

4933398600 - K750S - 4000463235





Position	Quantity	Description	Part number	EAN
0004 1	1	CONNECTION CABLE	4931624585	4002395767748
0008 2	1	RATING PLATE	4931487203	4058546420079
0010 3	1	STRIP-BAND	4931398789	4002395794416
0011 4	1	HANDLE	4931398596	4002395789481
0012 5	1	DAMPING ELEMENT	4931449510	4002395178582
0071 6	1	INSERT	4931398672	4002395788484
0100 7	1	MOTOR HOUSING	4931398850	4002395791620
0105 8	1	ELECTRIC FIELD	4931442746	4002395885244
0106 9	1	ARMATURE	4931442688	4002395882472
0110 10	1	DUST SEAL	4931398508	4002395768714
0111 11	1	BEARING END PLATE	4931426441	4002395842131
0112 12	3	SCREW	4931624541	4002395762019
0114 13	1	LOCKING RING	4931890311	4002395706297
0115 14	1	SEAL RING	4931398198	4002395767281
0116 15	1	AIR DEFLECTOR RING	4931398612	4002395785322
0118 16	1	MOTOR CAP	4931398613	4002395785360
0119 17	4	SCREW D7500-1CE M6x60 T30 TAPT 2000 A2F	4931624542	4002395762026
0120 18	1	PAIR HANDLE SHELLS	4931398208	4002395759385
0121 19	2	SCREW	4931364667	4002395664740
0123 20	2	WIRE	4931624263	4002395724819
0124 21	2	SCREW	4931624538	4002395760039
0125 22	1	CABLE COLLAR	4931256500	4002395586547
0126 23	2	SCREW	4931624538	4002395760039
0129 24	4	SCREW N874101-1 SHR H-K4X22 T15	4931624517	4002395757381
0130 25	2	BRUSH HOLDER	4931381694	4002395780303
0131 26	7	SCREW	4931624504	4002395756148
0132 27	1	ELECTRIC ELEMENT	4931398673	4002395787609
0133 28	2	LIGHT PIPE	4931398114	4002395756063
0135 29	1	SWITCH	4931375454	4002395731688
0136 30	1	PUSH-BUTTON	4931398529	4002395776603
0140 31	1	SHOCK ABSORBER	4931398660	4002395786800
0141 32	1	BRACKET	4931398661	4002395788439
0142 33	1	AVS-Rear Girder	4931398665	4002395788446
0143 34	4	AVS-COUNTER WEIGHT	4931398662	4002395788422
0144 35	4	PRESSURE SPRING	4931398664	4002395906758
0145 36	4	GUIDE BAR	4931398663	4002395784509
0146 37	4	NUT	4931398666	4002395785391
0156 38	1	BEARING	4931398095	4002395753475
0157 39	1	PROTECTION WASHER	9170315810	4002395570645
0158 40	1	BEARING BOLT	4931398746	4002395789955
0200 41	1	GEAR BOX	4931409533	4002395819041
0201 42	1	GEAR BOX INSULATION	4931398624	4002395785056
0212 43	1	GEAR BOX COVER	4931426454	4002395846474
0214 44	6	SCREW	4931624555	4002395764136
0225 45	1	COUPLING	4931432431	4002395900237
0236 46	1	CRANK WHEEL	4931409601	4002395825714
0237 47	1	SPINDLE KIT	4931455235	4002395176601
0238 48	1	SPINDLE SLEEVE	4931455234	4002395177943
0239 49	1	BACK-PRESSURE RING	4931398031	4002395755790
0241 50	1	DISC	4931398032	4002395755806

Position	Quantity	Description	Part number	EAN
0246 51	1	PERC. BODY W SEAL	4931455749	4002395176625
0258 52	1	PISTON COMPL.	4931398792	4002395790838
0268 53	1	SET COLLAR	4931398078	4002395755769
0270 54	4	NEEDLE BEARING	4931621847	4002395696192
0272 55	1	SPINDLE BEVEL GEAR	4931432188	4002395859542
0273 56	1	ADJUSTING PIECE	4931398154	4002395760053
0274 57	1	LOCKING PLATE	4931398075	4002395755936
0275 58	1	SWITCH	4931398626	4002395788651
0282 59	1	RING	4931624479	4002395755950
0288 60	1	THRUST COLLAR	4931398749	4002395790814
0290 61	1	DISC	4931624499	4002395755967
0291 62	1	LATCH PLATE	4931398658	4002395787852
0292 63	2	SCREW	4931624236	4002395717477
0293 64	1	THRUST PIECE	4931398097	4002395755974
0294 65	1	WASHER	4931455748	4002395176618
0295 66	1	PRESSURE SPRING	4931398099	4002395755981
0297 67	1	DISC	4931624535	4002395760404
0305 68	1	SLEEVE	4931398744	4002395788989
0306 69	1	INTERLOCK SLEEVE	4931426248	4002395838707
0309 70	1	PRESSURE SPRING	4931398856	4002395794324
0310 71	1	INTERLOCK ELEMENT	4931426013	4002395846009
0400 72	1	REPAIR KIT	4931432431	4002395900237
0406 73	1	ARMATURE ASSEMBLY	4931449973	4002395171743
0700 74	1	CARRYING CASE	4931402576	4002395780266
0705 75	1	HANDLE	4931398676	4002395789412
1200 76	1	MAINTENANCE SET	4931463239	4058546040963
1201 77	1	CARBON BRUSH SET	4931398132	4002395757312
1204 78	1	O-RING N874701 26X3	4931622166	4002395696963
1205 79	1	PROTECTING COVER	4931393422	4002395752836
1207 80	2	DAMPING ELEMENT	4931398748	4002395789917
1208 81	2	SEALING SLEEVE	4931398101	4002395754588
1209 82	1	RUBBER SLEEVE	4931398085	4002395753291
1210 83	2	SEAL RING	4931624440	4002395755226
1212 84	1	SNAP DIE	4931398639	4002395786794
1213 85	2	O-RING (FKM)	4931398297	4002395767175
1216 86	1	SEAL	4931398539	4002395776665
1219 87	1	SLEEVE	4931624621	4002395784868
1220 88	1	CORE LIFTER RING	4931398033	4002395755660
1221 89	1	RING	4931398073	4002395768141
1222 90	1	SPRING RING	9170319040	4002395571895
1223 91	2	INTERLOCK ELEMENT	4931487601	4058546541422
1224 92	1	SEAL RETAINER	4931398790	4002395790210
1225 93	1	INTERLOCK DISC	4931398080	4002395755899
1226 94	1	SEAL RING	4931624495	4002395755400
1227 95	1	RUBBER CAP	4931398064	4002395755677
1228 96	1	HOLDING-DOWN DEVICE	4931409768	4002395847617
1230 97	1	REPAIR KIT	4931426013	4002395846009
1231 98	1	WASHER	4931398298	4002395768127
1232 99	1	WASHER	4931624586	4002395768257
1234 100	1	GROOVED BALL BEAR.	4931398189	4002395767304

<b>Position</b>	<b>Quantity</b>	<b>Description</b>	<b>Part number</b>	<b>EAN</b>
1235 101	1	BALL BEARING	4931341741	4002395627004
1236 102	1	MAGNETIC DISC	4931426570	4002395856497
1238 103	1	STOP WASHER	4931409781	4002395841813